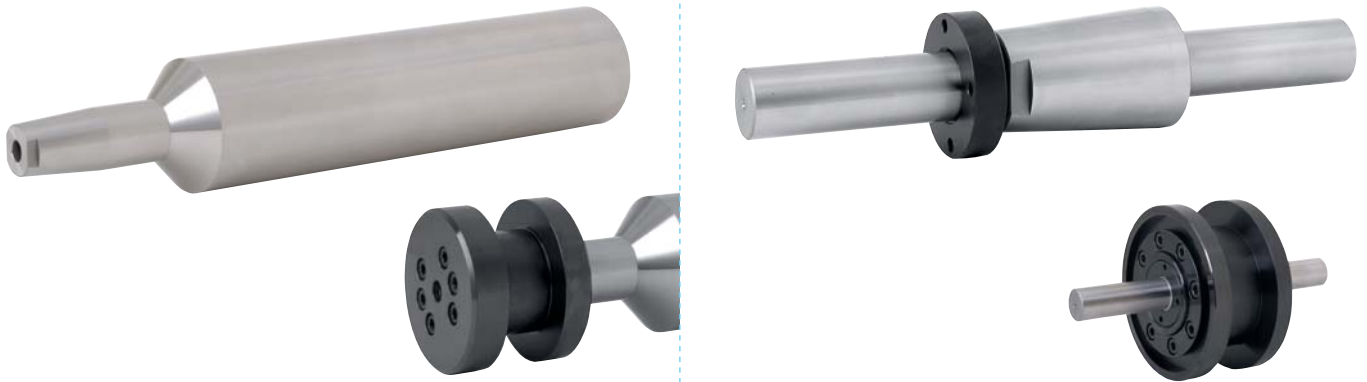
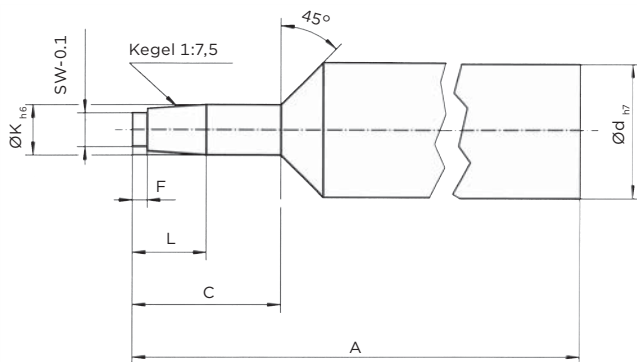


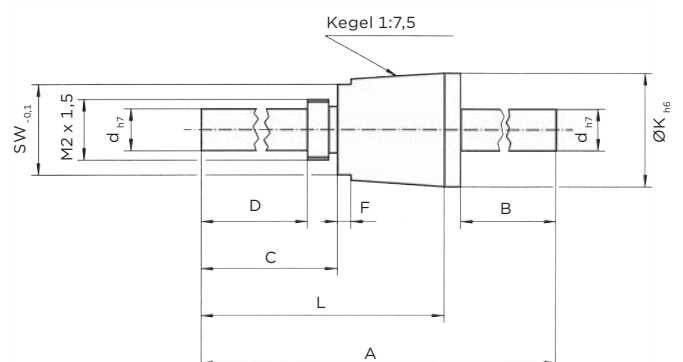
Auswuchtdorne



Typ A



Typ B



| Produktdaten | | | | | | | | | | | | |
|----------------|-----------|-------|------|-----|-----|-------------------|----|-------------------|-----|-----|--------------------|-----|
| Art.-Nr. | Spindel Ø | A | B | C | D | Ø d _{h7} | F | Ø K _{h6} | L | M2 | SW _{-0,1} | Typ |
| VFZ-750.000000 | 40 mm | 235 | - | 40 | - | 36 | 4 | 13,5 | 20 | - | 9 | A |
| VFZ-750.000010 | 50 mm | 239 | - | 44 | - | 40 | 4 | 15,5 | 24 | - | 10 | |
| VFZ-750.000020 | 60 mm | 260 | - | 60 | - | 60 | 5 | 23 | 30 | - | 16 | |
| VFZ-750.000030 | 80 mm | 380 | - | 79 | - | 70 | 6 | 32 | 44 | - | 23 | |
| VFZ-750.000040 | 100 mm | 270 | 79 | 117 | 99 | 25 | 8 | 48 | 181 | M30 | 34 | B |
| VFZ-750.000050 | 120 mm | 300 | 100 | 120 | 100 | 27 | 8 | 52 | 190 | M30 | 36 | |
| VFZ-750.000060 | 140 mm | 310 | 100 | 120 | 100 | 32 | 10 | 58 | 200 | M35 | 41 | |
| VFZ-750.000070 | 160 mm | 310 | 80 | 120 | 98 | 37 | 12 | 72 | 220 | M40 | 50 | |
| VFZ-750.000080 | 200 mm | 337,5 | 92,5 | 120 | 100 | 47 | 10 | 88 | 235 | M50 | 65 | |